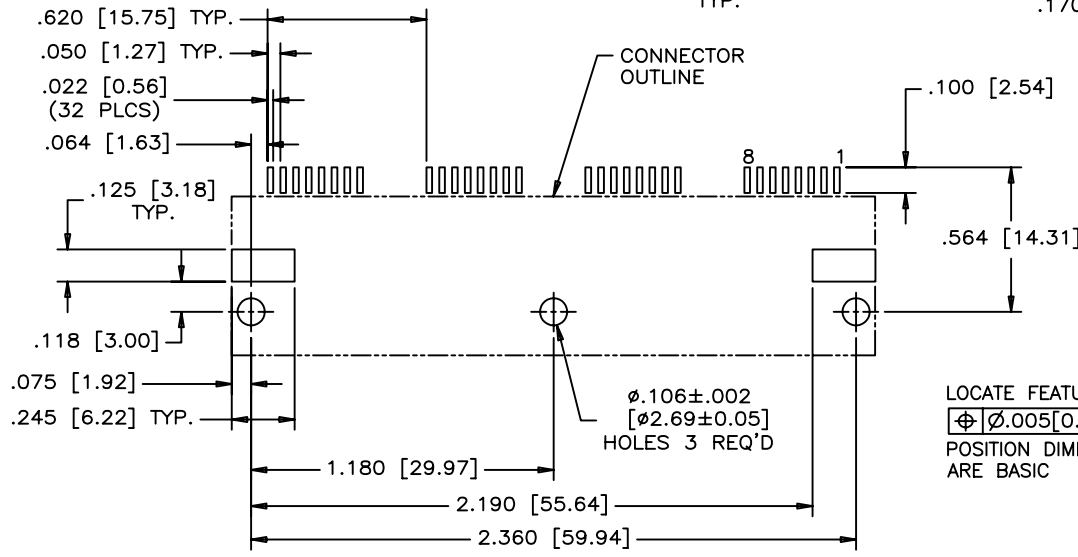
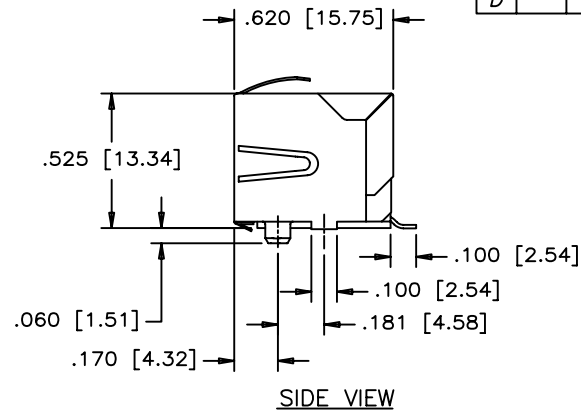
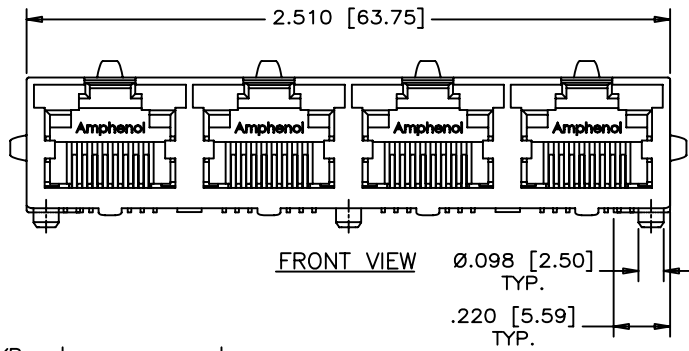


REVISIONS				
SYM	ZONE	DESCRIPTION	DATE	APPRD.
D		PROPOSAL	DEC.25/06	L.C.



RECOMMENDED P.C.B. LAYOUT  
(COMPONENT SIDE OF BOARD)

LOCATE FEATURES  
 $\varnothing \pm 0.005 [0.13]$   
 POSITION DIMENSIONS  
 ARE BASIC



**MATERIALS:**  
 PLASTIC HOUSING: HIGH ENGINEERING THERMOPLASTIC  
 FLAMMABILITY RATING UL 94V-0

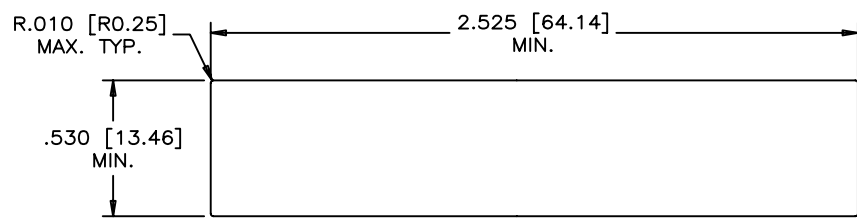
**CONTACTS:** PHOSPHOR BRONZE  
 PLATING: 20 μ" [0.51 MICRONS]  
 MIN. GOLD ON MATING SURFACES.  
 50 μ" [1.27 MICRONS]  
 MIN. NICKEL UNDERPLATE  
 100 μ" [2.54 MICRONS]  
 MIN. MATTE TIN ON CONTACT

**TAILS**

**SHIELD:** COPPER ALLOY  
 PLATING: NICKLE

RECOMMENDED SOLDERING TEMPERATURE:  
 WAVE SOLDERING OR REFLOW SOLDERING AT 260°C MAXIMUM FOR 5 SEC MAXIMUM.

PART NUMBER: RJSSE-5380-04

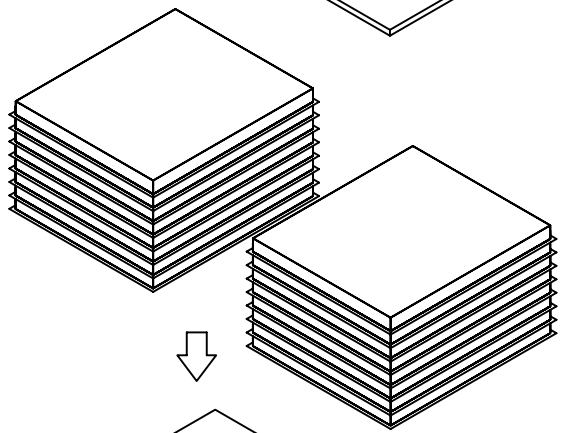
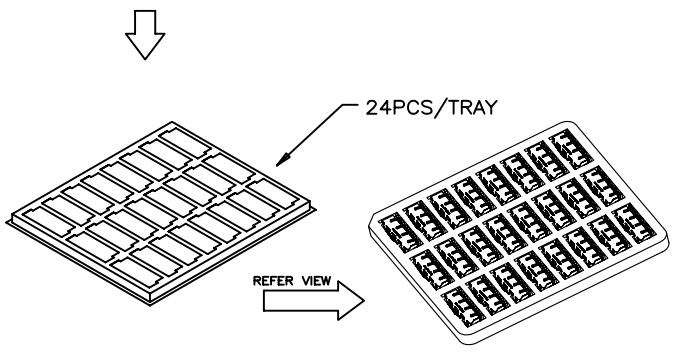
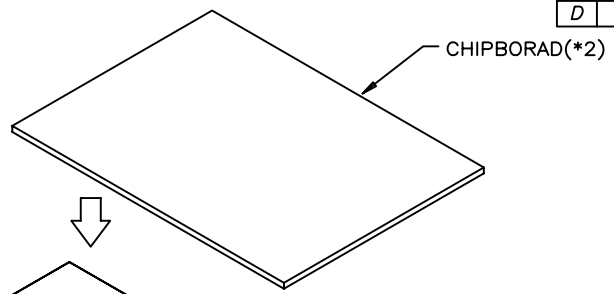
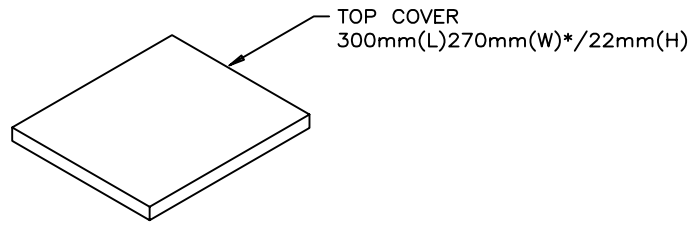


RECOMMENDED PANEL CUTOUT

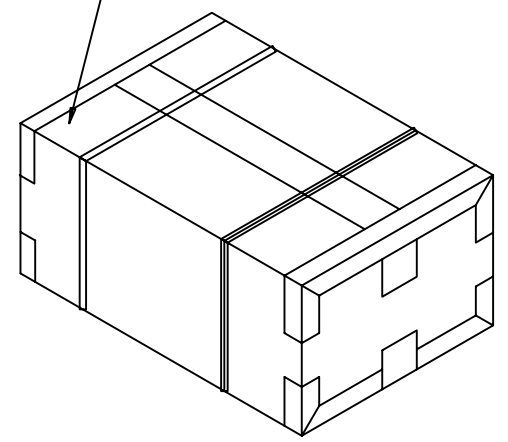
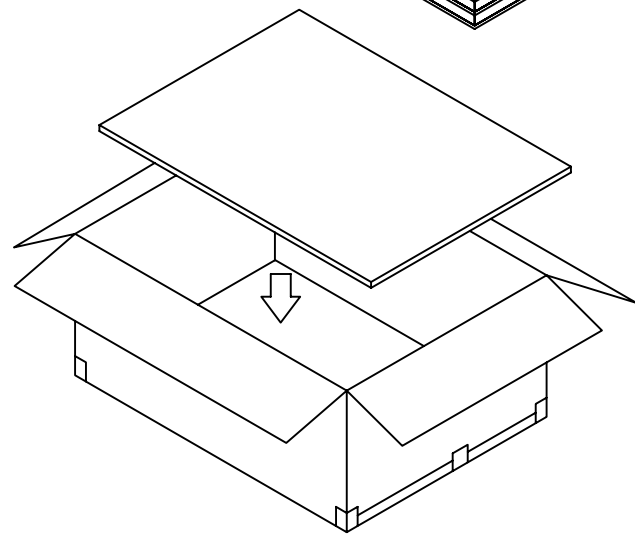
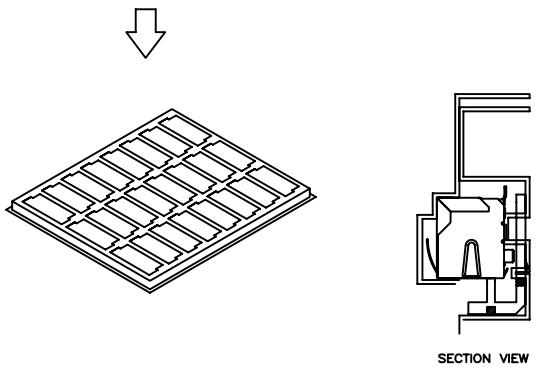
THIS DOCUMENT CONTAINS PROPRIETARY INFORMATION AND SUCH INFORMATION  
 MAY NOT BE DISCLOSED TO OTHERS FOR ANY PURPOSE OR USED FOR MANUFACTURING  
 PURPOSES WITHOUT WRITTEN PERMISSION FROM AMPHENOL CANADA CORP.

DRAWN	ChigowX	DATE	DEC.25/06	Amphenol Canada Corp.
DESIGNED				
CHECKED	LCHAN	DATE	DEC.25/06	TITLE 4 PORT, SURFACE MOUNT, RJ45 MODULAR JACK, 8 POSITION, 8 CONTACTS, SHIELDED, WITHOUT LEDs --RoHS COMPLIANT
I. E. APPRD.				
Q. A. APPRD.				
DWG. APPRD.				
ENG. REL. NO.		DWG	DRAWING NO.	P-RJSSE-5380-04
REF.				REV. D
DIMENSIONS ARE IN INCHES [mm]	CODE ID. NO. 03554	SCALE	WT. -----	SURF. -----
			SHEET 1 OF 2	

REVISIONS				
SYM	ZONE	DESCRIPTION	DATE	APPRD.
D		PROPOSAL	DEC.25/06	L.C.



CARTON  
560mm(L)\*310mm(W)\*210mm(H)  
16 TRAY/CARTON  
TOTAL:384PCS



PACKAGE NOTES:  
1. ONE TRAY SHOULD HOLD 30 PCS CONNECTORS.  
2. A FULLY LOADED CARTON SHOULD CONTAIN 16 TRAYS(540 PCS) OF CONNECTORS.

THIS DOCUMENT CONTAINS PROPRIETARY INFORMATION AND SUCH INFORMATION MAY NOT BE DISCLOSED TO OTHERS FOR ANY PURPOSE OR USED FOR MANUFACTURING PURPOSES WITHOUT WRITTEN PERMISSION FROM AMPHENOL CANADA CORP.

DRAWN	ChigowX	DATE	DEC.25/06	Amphenol Canada Corp.	
DESIGNED					
CHECKED	LCHAN	DATE	DEC.25/06	TITLE 4 PORT, SURFACE MOUNT, RJ45 MODULAR JACK, 8 POSITION, 8 CONTACTS, SHIELDED, WITHOUT LEDs --RoHS COMPLIANT	
I. E. APPRD.					
Q. A. APPRD.				DWG. DRAWING NO. P-RJSSE-5380-04	
DWG. APPRD.					
ENG. REL. NO.				REV.	D
REF.				SCALE	
DIMENSIONS ARE IN INCHES [mm]	CODE ID. NO.	03554			
				WT. -----	SHEET 2 OF 2